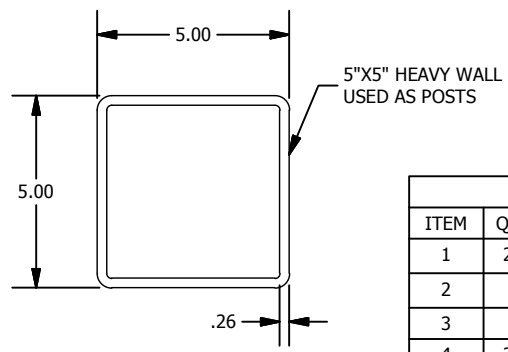
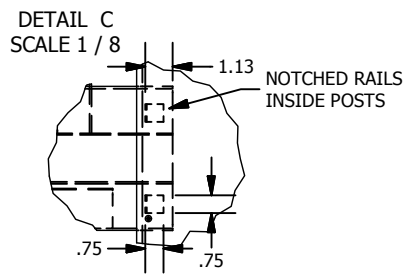
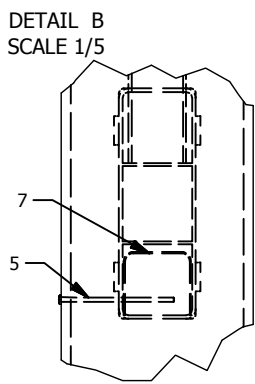
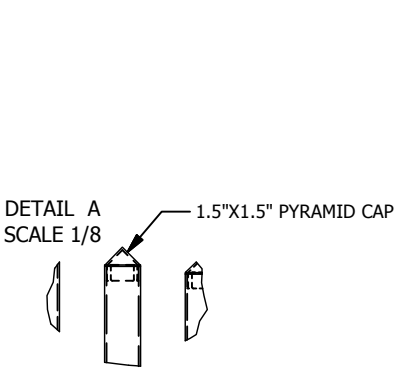


PVC Material Specifications

Specifications	Value	ASTM
Control Tensile Strength PSI	6332	D-638
Weathered Tensile Strength PSI	6690	D-638
Percentage Change	+5.6%	D-638
Rate of Burning	0.0 mm/min	D-635
Smoke Density	63.5	D-2843
Self Ignition	380 C	D-1929



BILL OF MATERIALS		
ITEM	QTY	PART DESCRIPTION
1	27	1.5"x1.5" PICKETS
2	1	2"x3.5"x8' TOP RAIL
3	1	2"x6"x8' BOTTOM RAIL
4	27	1.5"x1.5" PYRAMID CAP
5	4	3" SCREW
6	2	5"x5"x7' HEAVY WALL POSTS

F S E
FRED S. CARDWELL, P.E.
 FLORIDA# 15607
 1000 SOUTH BELCHER RD
 BLDG-A / UNIT #11
 LARGO, FLORIDA 33771
 VOICE: 727-524-1905
 FAX: 727-524-1299

THIS DRAWING IS NOT VALID UNLESS
 SIGNED IN PURPLE INK

MIAMI-DADE COUNTY 75MPH WIND LOAD FOR HIGH VELOCITY HURRICANE ZONE

STYLE#	DESCRIPTION
V707-4	Vinyl 4' High Victorian Scalloped Top with Pyramid Cap

Eastern Wholesale Fence, Inc. - 274 Middle Island Rd. Medford, NY 11763



www.IllusionsFence.com

SHEET
16
 SHEET 16 OF 18
 10-08-09