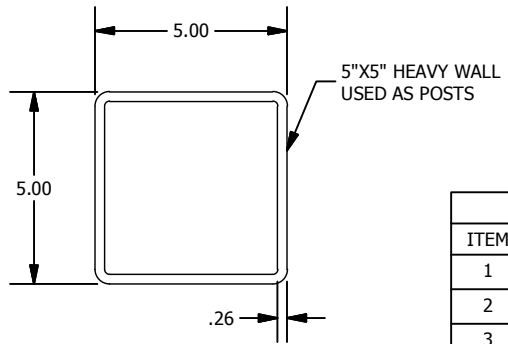
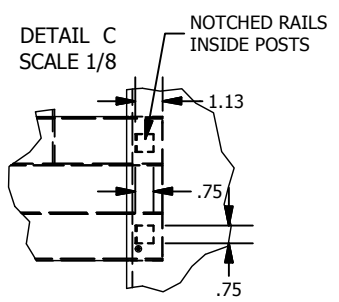
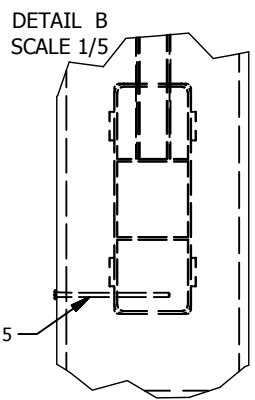
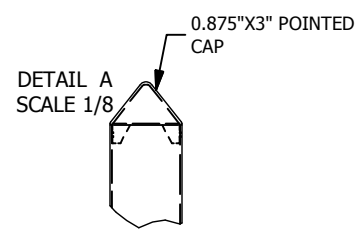


PVC Material Specifications

Specifications	Value	ASTM
Control Tensile Strength PSI	6332	D-638
Weathered Tensile Strength PSI	6690	D-638
Percentage Change	+5.6%	D-638
Rate of Burning	0.0 mm/min	D-635
Smoke Density	63.5	D-2843
Self Ignition	380 C	D-1929



BILL OF MATERIALS		
ITEM	QTY	PART DESCRIPTION
1	15	0.875"x3" PICKETS
2	1	2"x3.5"x8' TOP RAIL
3	1	2"x6"x8' BOTTOM RAIL
4	15	0.875"x3" POINTED CAP
5	4	3" SCREW
6	2	5"x5"x7' HEAVY WALL POSTS

**F S C**  
**FRED S. CARDWELL, P.E.**  
 FLORIDA# 15607  
 1000 SOUTH BELCHER RD  
 BLDG-A / UNIT #11  
 LARGO, FLORIDA 33771  
 VOICE: 727-524-1905  
 FAX: 727-524-1299

THIS DRAWING IS NOT VALID UNLESS  
 SIGNED IN PURPLE INK

MIAMI-DADE COUNTY 75MPH WIND LOAD FOR HIGH VELOCITY HURRICANE ZONE	
STYLE#	DESCRIPTION
V402-4TR	Vinyl 4' High Spaced Picket with Pointed Cap Scalloped

Eastern Wholesale Fence, Inc. - 274 Middle Island Rd. Medford, NY 11763



www.IllusionsFence.com

SHEET  
**13**  
 SHEET 13 OF 18  
 10-08-09