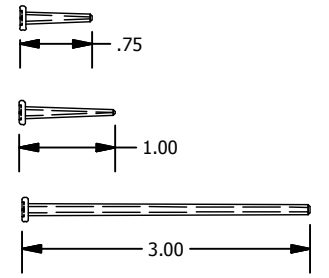
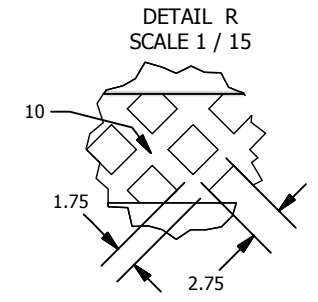


PVC Material Specifications

Specifications	Value	ASTM
Control Tensile Strength PSI	6332	D-638
Weathered Tensile Strength PSI	6690	D-638
Percentage Change	+5.6%	D-635
Rate of Burning	0.0 mm/min	D-2843
Smoke Density	63.5	D-2843
Self Ignition	380 C	D-1929



BILL OF MATERIALS

ITEM	QTY	PART DESCRIPTION
1	2	0.875" U-CHANNEL
2	4	GALV. U-CHANNEL
3	15	50" T&G BOARD
4	30	0.75" SCREW
5	2	5"X5"X9" HEAVY WALL POST
6	2	POST INSERT
7	2	1" SCREW
8	3	1.5"X5.5" RAIL
9	4	3" SCREW
10	1	8"X12" SQUARE LATTICE 1.75" OP
11	2	VLATUF 8.5" AS END CAPS FOR LATTICE

*SAME SPECIFICATIONS APPLY TO THE 4' H AND 5' H FENCE SYSTEMS
*OFFERED IN THREE COLORS (WHITE-TAN-GRAY)

F S E
FRED S. CARDWELL, P.E.
FLORIDA# 15607
1000 SOUTH BELCHER RD
BLDG-A / UNIT #11
LARGO, FLORIDA 33771
VOICE: 727-524-1905
FAX: 727-524-1299

THIS DRAWING IS NOT VALID UNLESS
SIGNED IN PURPLE INK

MIAMI-DADE COUNTY 75MPH WIND LOAD FOR HIGH VELOCITY HURRICANE ZONE

STYLE#	DESCRIPTION
V3215D-6	Vinyl 6' High Tongue & Groove with Diagonal Lattice Top

Eastern Wholesale Fence, Inc. - 274 Middle Island Rd. Medford, NY 11763



www.IllusionsFence.com

SHEET
3
SHEET 3 OF 18
10-08-09