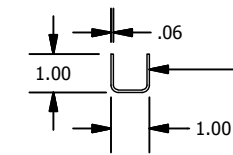
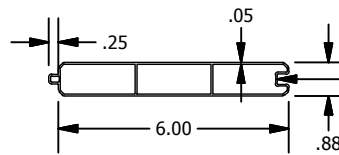


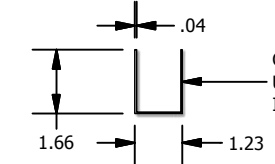
1.5"x5.5"x93.75" USED AS TOP, MIDDLE AND BOTTOM RAILS



0.875" U-CHANNEL USED AS END CAPS FOR THE SOLID T&G BASE OF THE FENCE



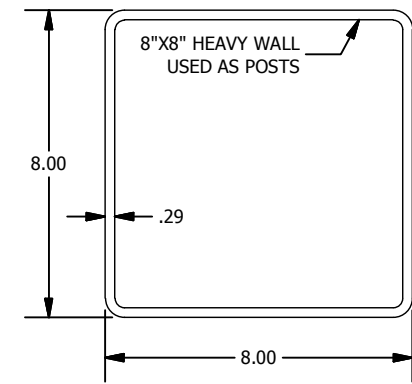
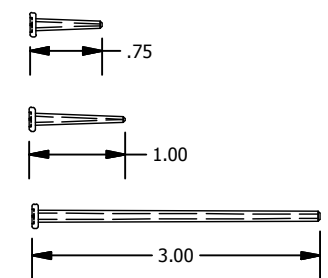
0.875"x6"x43" T&G BOARD, USED AS SOLID BASE



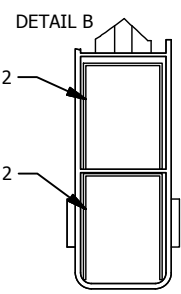
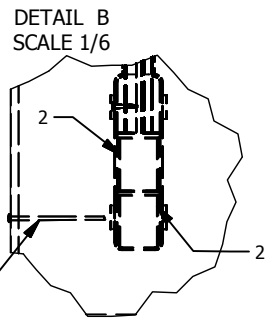
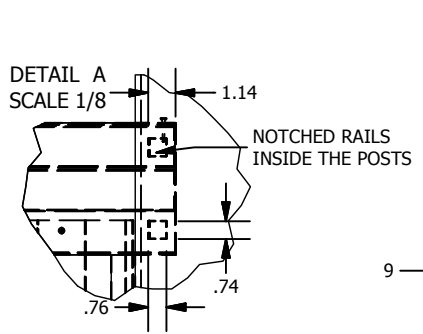
GALV. U-CHANNEL USED AS STIFFENER INSIDE RAILS

PVC Material Specifications

Specifications	Value	ASTM
Control Tensile Strength PSI	6332	D-638
Weathered Tensile Strength PSI	6690	D-638
Percentage Change	+5.6%	D-635
Rate of Burning	0.0 mm/min	D-2843
Smoke Density	63.5	D-2843
Self Ignition	380 C	D-1929



8"x8" HEAVY WALL USED AS POSTS



BILL OF MATERIALS		
ITEM	QTY	PART DESCRIPTION
1	4	0.875" U-CHANNEL
2	6	GALV. U-CHANNEL
3	30	43" T&G BOARD
4	60	0.75" SCREW
5	2	5"x5"x132" HEAVY WALL POST
6	2	POST INSERT
7	2	1" SCREW
8	3	1.5"x5.5" RAIL
9	4	3" SCREW

FSC
FRED S. CARDWELL, P.E.
 FLORIDA# 15607
 1000 SOUTH BELCHER RD
 BLDG-A / UNIT #11
 LARGO, FLORIDA 33771
 VOICE: 727-524-1905
 FAX: 727-524-1299

THIS DRAWING IS NOT VALID UNLESS SIGNED IN PURPLE INK

MIAMI-DADE COUNTY 75MPH WIND LOAD FOR HIGH VELOCITY HURRICANE ZONE

STYLE#	DESCRIPTION
V300-8	Vinyl 8' High Tongue & Groove Solid Panel

Eastern Wholesale Fence, Inc. - 274 Middle Island Rd. Medford, NY 11763



www.IllusionsFence.com

SHEET
2
 SHEET 2 OF 18
 10-08-09